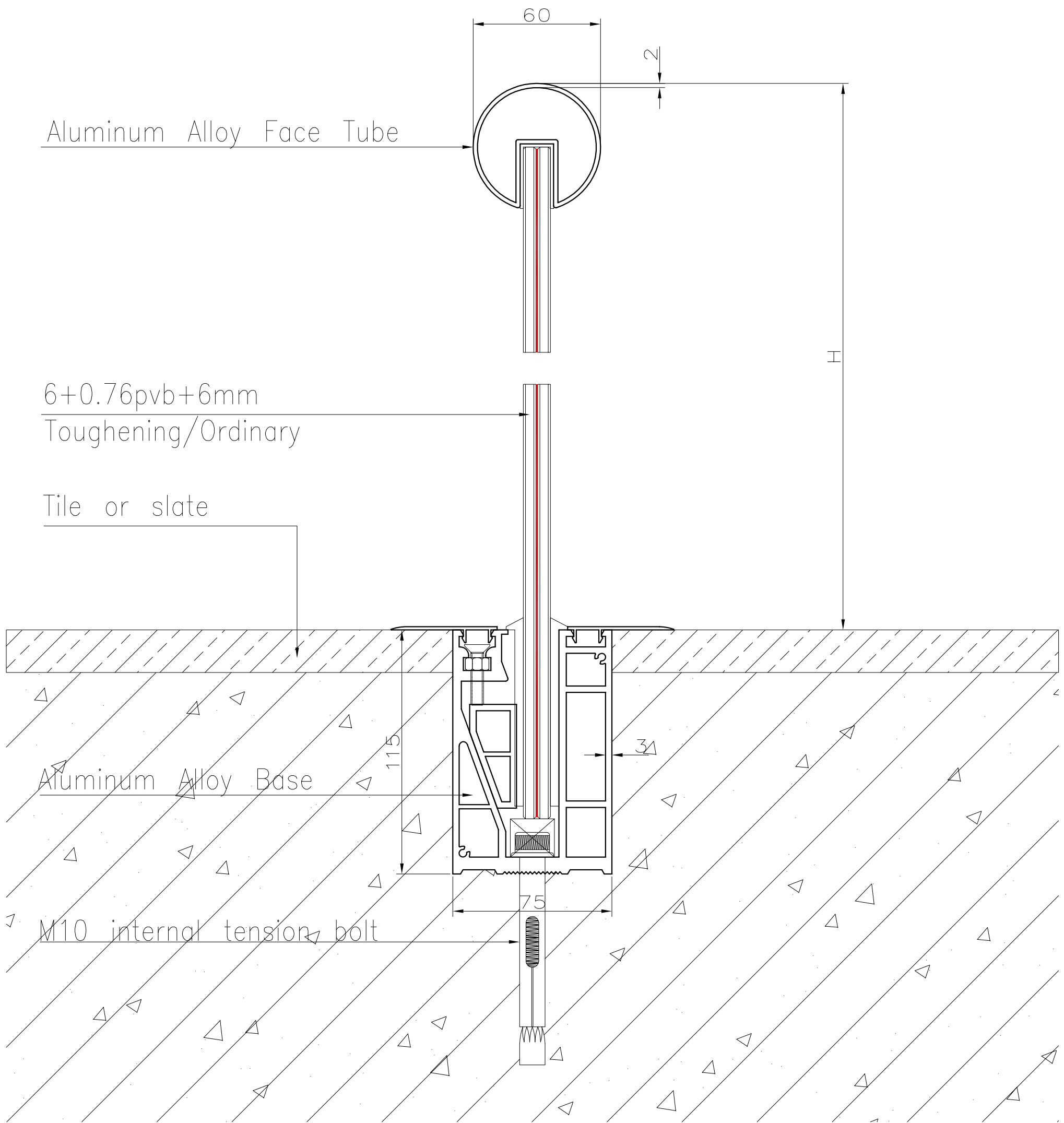


Panoramic glass guardrail large sample



NODAL GRAPH

